

Holders for Clamping Jaws

Static Holder

SPECIFICATION

Types

- Type **R**: Clamping jaws at right angle to clamping arm
- Type **P**: Clamping jaws parallel to clamping arm

Steel C 45

Chemically nickel plated **NC**

Socket cap screws DIN 912

Centering guide bushings

Steel, blackened

INFORMATION

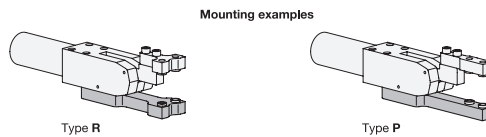
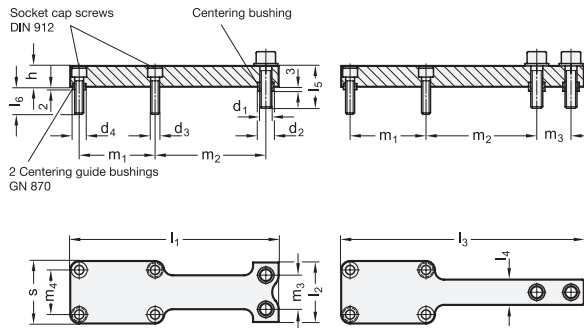
Holders for clamping jaws GN 869.2 have been designed for use with power clamps GN 865 (see page 1636).

Holders for clamping jaws are equally precisely positioned on the clamping arm as are the clamping jaws GN 872 (see page 1643) on the holders themselves.

Socket cap screws and centering guide bushings are included.

TECHNICAL INFORMATION

- ISO-Fundamental Tolerances (see page A21)



GN 869.2-R

Description	for power clamps Size	Dimensions														⚖
		s -0.2	d1	d2 H8/h6	d3	d4 H8/h6	h	l1	l2	l5	l6	m1	m2	m3	m4	
GN 869.2-32-R-NC	20	32	M 6	9	M 5	7	10	98.5	30	18.5	8	34	53	17	22	150
GN 869.2-42-R-NC	32	42	M 8	11	M 6	9	14	140	40	23.5	8.5	51	74.4	23	30	400
GN 869.2-52-R-NC	40	52	M 10	13	M 8	11	16	168	50	28	12.5	62	88.5	30	37	900
GN 869.2-62-R-NC	50	62	M 10	13	M 10	13	18	192.5	60	28	12.5	71.5	102	40	44	1030

GN 869.2-P

Description	for power clamps Size	Dimensions														⚖
		s -0.2	d1	d2 H8/h6	d3	d4 H8/h6	h	l3	l4	l5	l6	m1	m2	m3	m4	
GN 869.2-32-P-NC	20	32	M 6	9	M 5	7	10	115.5	15	18.5	8	34	53	17	22	150
GN 869.2-42-P-NC	32	42	M 8	11	M 6	9	14	163	19	23.5	8.5	51	74.4	23	30	370
GN 869.2-52-P-NC	40	52	M 10	13	M 8	11	16	198	20	28	12.5	62	88.5	30	37	720
GN 869.2-62-P-NC	50	62	M 10	13	M 10	13	18	232.5	20	28	12.5	71.5	102	40	44	770